

**Table S1** The list of 22 immune cell types

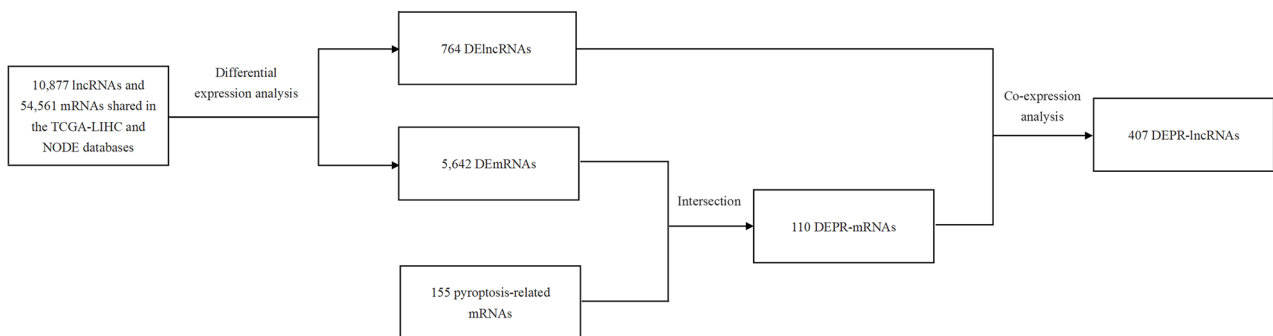
B cells naive
B cells memory
Plasma cells
T cells CD8
T cells CD4 naive
T cells CD4 memory resting
T cells CD4 memory activated
T cells follicular helper
Treg cells
T cells gamma delta
NK cells resting
NK cells activated
Monocytes
Macrophages M0
Macrophages M1
Macrophages M2
Dendritic cells resting
Dendritic cells activated
Mast cells resting
Mast cells activated
Eosinophils
Neutrophils

Treg, T regulatory; NK, natural killer.

**Table S2** The list of 10 pyroptosis-related lncRNA pairs

CTC-297N7.9 CTD-2510F5.4
CTC-297N7.9 RP11-432J22.2
LINC00942 RP11-92C4.6
RP11-150O12.3 RP11-92C4.6
RP11-187E13.1 RP11-92C4.6
RP11-443B20.1 RP11-92C4.6
RP11-519G16.5 RP11-92C4.6
RP11-536K7.3 RP11-92C4.6
RP11-540A21.2 RP11-92C4.6
RP11-92C4.6 RP3-439F8.1

LncRNA, long non-coding RNA.



**Figure S1** The data diagram of collection for DEPR-lncRNAs. LncRNA, long non-coding RNA; mRNA, message RNA; TCGA-LIHC, The Cancer Genome Atlas-Liver Hepatocellular Carcinoma; NODE, National Omics Data Encyclopedia; DElncRNAs, differentially expressed lncRNAs; DE mRNAs, differentially expressed mRNAs; DEPR-mRNAs, differentially expressed pyroptosis-related mRNAs; DEPR-lncRNAs, differentially expressed pyroptosis-related lncRNAs.