

Table S1 Primary antibodies used in the study

Antibody	Use	Company
Ly6G (clone 1A8)	300 µg/body, neutrophil depletion	BioXcell Life Sciences
CXCL1	50 ng/body, blocking	R&D Systems
CXCL2	50 ng/body, blocking	R&D Systems
CCL5	50 ng/body, blocking	R&D Systems
CD8	1:400, IHC	BOSTER
CD11b	1:200 for IHC	Abcam
Vimentin	1:300, IHC	Cell Signaling Technology
E-cadherin	1:300, IHC	Cell Signaling Technology
CD11b-APC	1:20, FC	BioLegend
Ly6G-PE (clone GR-1)	1:20, FC	eBioscience
CD8-FITC	1:20, FC	eBioscience
Granzyme B antibody-Alexa Fluor 647	1:20, FC	Biolegend
CD4-FITC	1:20, FC	eBioscience
CD25-APC	1:20, FC	eBioscience
FoxP3-PE	1:20, FC	eBioscience
N-acetylcysteine	200 mg/kg, ROS depletion	Beyotime
E-cadherin	1:1000, Wb	Cell Signaling Technology
Vimentin	1:1000, Wb	Cell Signaling Technology
Snail	1:1000, Wb	Cell Signaling Technology
PI3K	1:1000, Wb	Proteintech
pPI3K	1:1000, Wb	Cell Signaling Technology
AKT	1:1000, Wb	Proteintech
pAKT	1:1000, Wb	Proteintech
γ-H2AX	1:1000, Wb	Upstate
GAPDH	1:1000, Wb	Proteintech

WB, western blotting; IHC, immunohistochemistry; FC, flow cytometry.

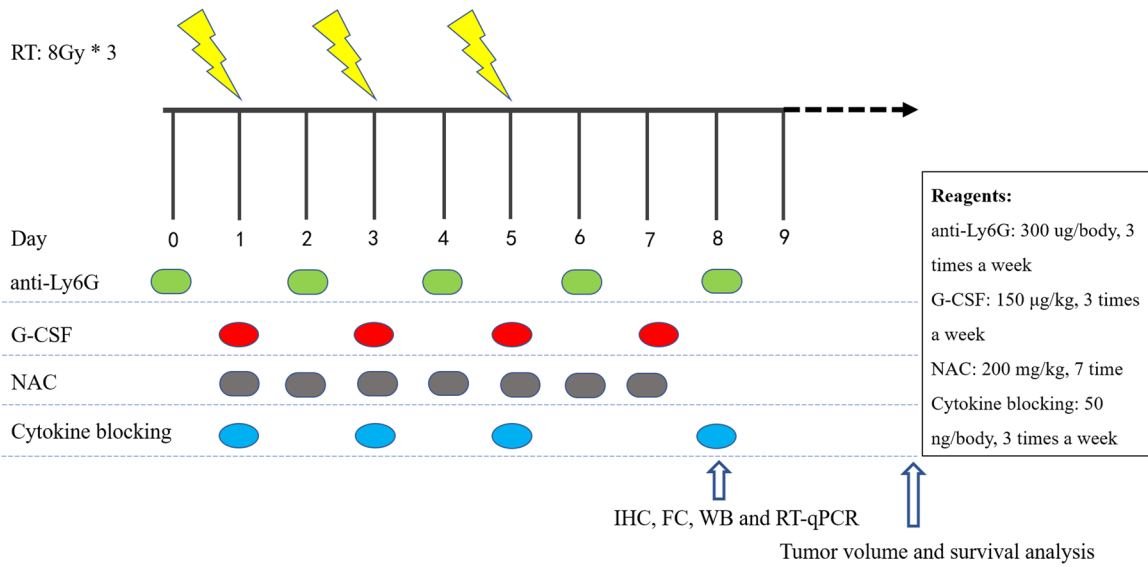


Figure S1 A time-line diagram for study design. RT, radiotherapy; G-CSF, granulocyte colony-stimulating factor; NAC, N-acetylcysteine; IHC, immunohistochemistry; FC, flow cytometry; WB, western blotting; RT-qPCR, quantitative real-time PCR.

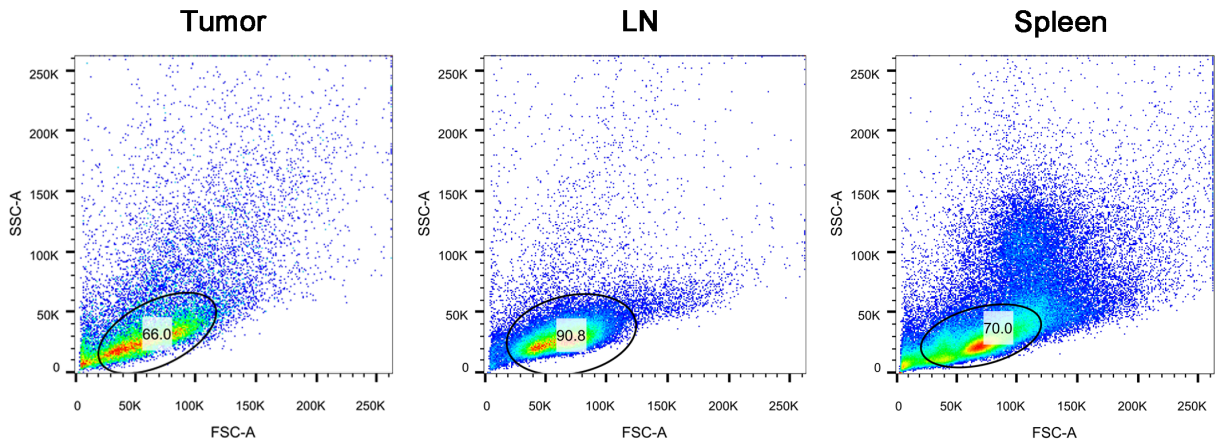


Figure S2 The gating strategy and representative flow cytometry. In total, 100,000 events were recorded, and were initially gated according to FSC/SSC profiles.